



Series 1, 2 & 3



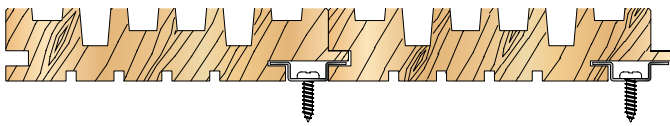
ACGI Diffuser Systems provide custom acoustic solutions for wall and ceiling applications. Diffusers are typically used sparingly because only a small percentage of the total surface area is needed to effectively diminish flutter and echo.

Diffuser Series 1 (DF1)—Tocatta is a monolithic plank with various channel widths and depths that break up and redistribute sound waves. Planks are manufactured with specified hardwood specie and custom factory finish to match or compliment surrounding surfaces. DF1 planks are easily trimmed in the field.

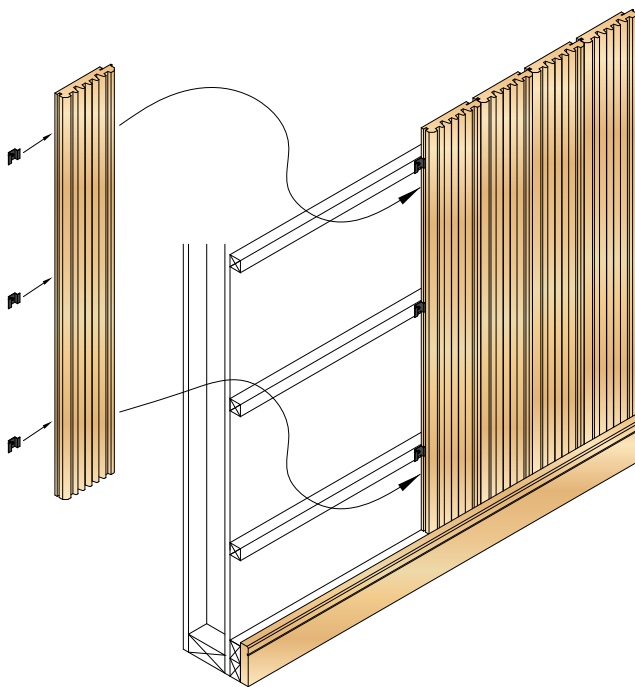
Diffuser Series 2 (DF2)—Counterpoint is a custom geometric panel that focuses sound direction to isolate echo and reverberation. Panels are installed in horizontal or vertical bands on walls or ceilings. The face can be wood veneer, high-pressure laminate, or paint.

Diffuser Series 3 (DF3)—Rubato panels feature a decorative sculpted face that results in superior sound diffusion. The face pattern can be a custom design that blends with adjacent panels or is distinctive. Wall or column applications are most common, but panels can also be used for ceilings. Because of unique pattern undulations the face is typically painted or coated rather than covered in wood veneer.

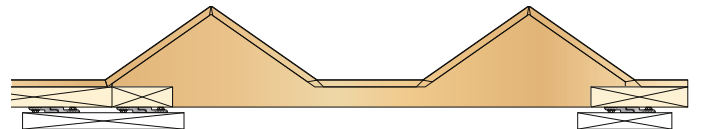
Diffuser Series 1 (Tocatta)



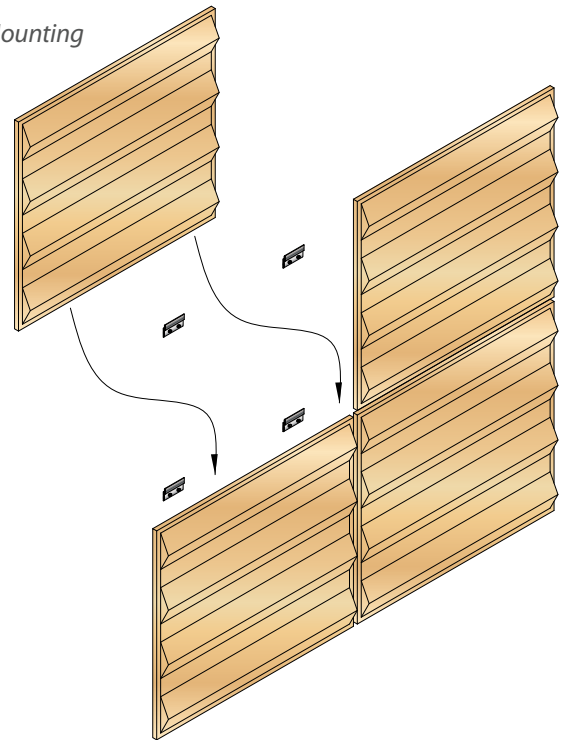
Wall Application



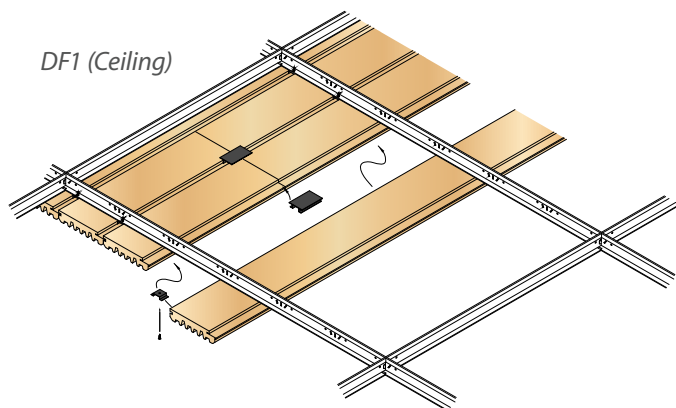
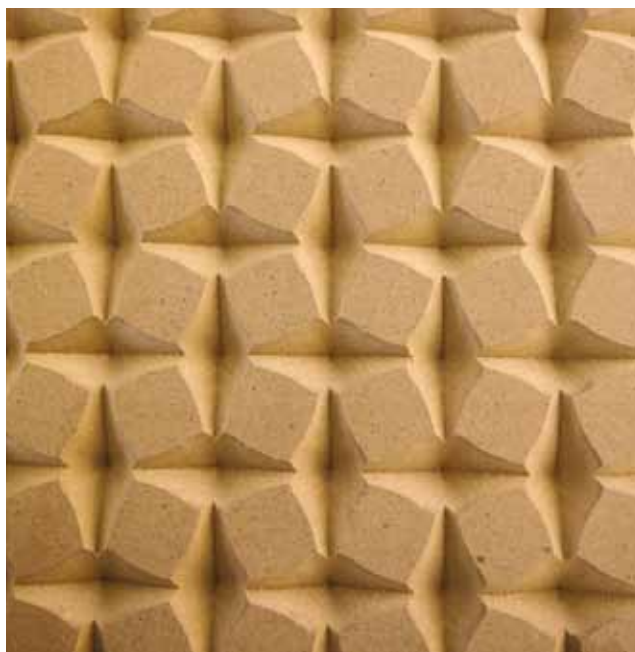
Diffuser Series 2 (Counterpoint)



Z-Clip Mounting



Diffuser Series 3 (Rubato)

**How To Spec It...**

Series Thickness
DF1-375-E ●
 Width

What It Means... Tocatta Series linear diffuser panel 3¾" wide with 1" thickness.

Thickness Reference

A	½"
B	5/8"
C	¾"
D	7/8"
● E	1"
F	1 1/8"
G	1 ¼"
H	1 3/8"
I	1 ½"
J	1 5/8"
K	1 ¾"
L	1 7/8"
M	2"
N	2 1/8"
O	2 ¼"
P	2 3/8"

LEED CREDIT

MR 4.1, MR 4.2, MR 7, EQ 4.4

WOOD SPECIES

ACGI Diffusers are available in a large variety of wood veneers to meet design requirements.

FINISHES

ACGI Diffusers can be finished in any of our standard finish options or custom finishes.

FIRE RATING

Solid wood finishes and veneer cores can be provided with a Class A fire rating [ASTM-E84].

DELIVERY, STORAGE & HANDLING

Material must be stored and installed only in secured ambient environment (humidity range 25%–55%, temperature not to exceed 86°F). All windows, doors and wet-work must be complete before installation. Handle carefully to avoid damaging.

WARRANTY

All materials supplied by ACGI are guaranteed against manufacturing defects for one year. Wood stains and colorings can vary over time due to job site conditions and are therefore excluded from this warranty. The contractor shall warrant for one year all work from final acceptance of completed work.