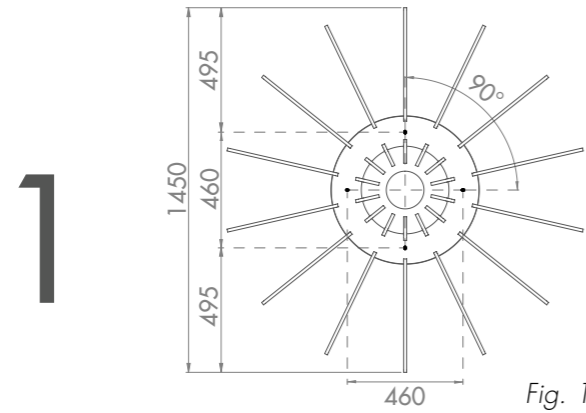


HANGING THE LATTICE



1

Determine where you want the Lattice to hang (Fig.1). Mark the ceiling fixing points as per dotted lines.

Attach ceiling connector bases to ceiling at marked points, using a mechanical fastening with a diameter of 3mm that is appropriate for the substrate.

2

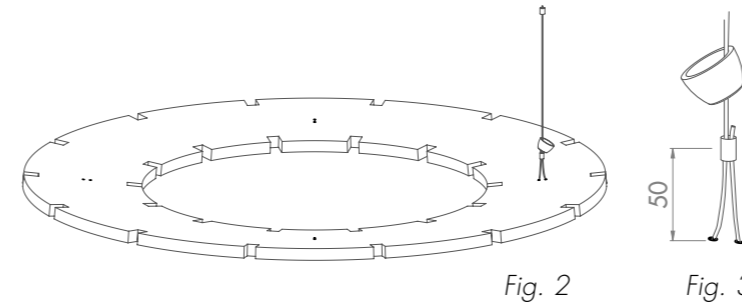


Fig. 2

Fig. 3

Attach the supplied wires to the large ring through the pre-cut holes at the four points as shown in Fig. 2.

Clamp the wire at 50mm (Fig.3). Thread the ceiling connector cap onto the loose end of the wire.

3

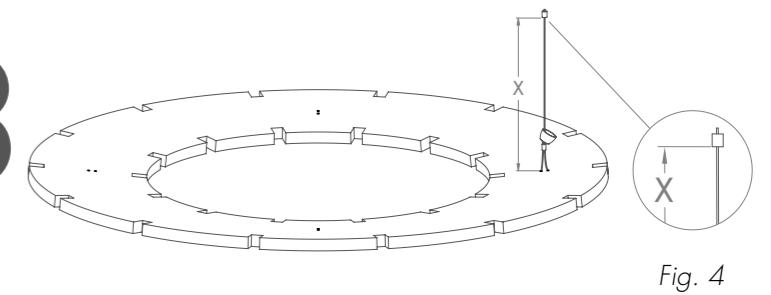


Fig. 4

Determine the drop required (space between the top of the Lattice and the ceiling).

This will be dimension (X) in Fig. 4.

Secure crimps, check measurements and trim off excess wire.

4

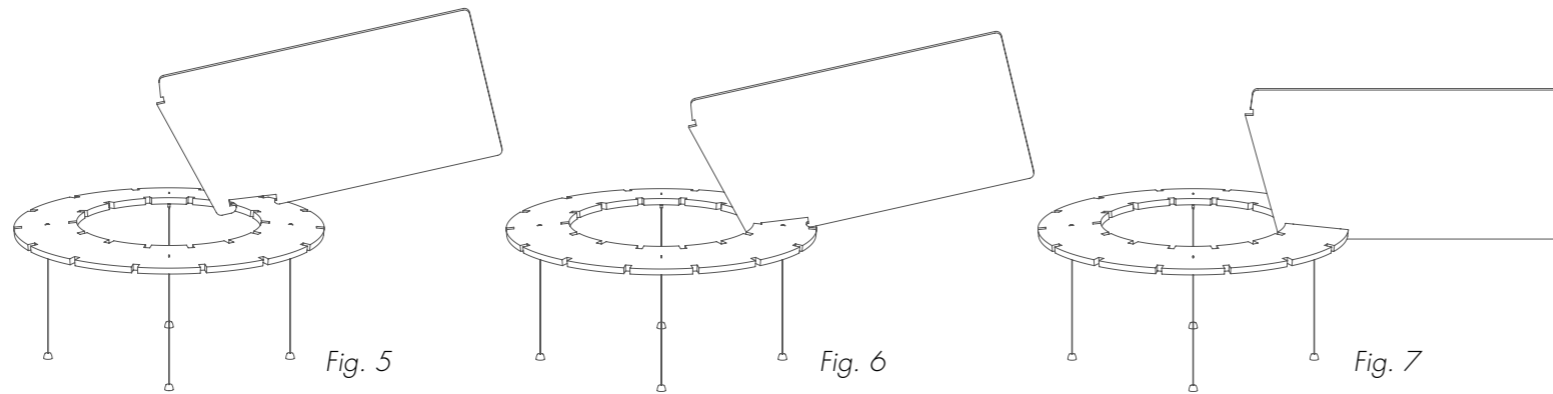


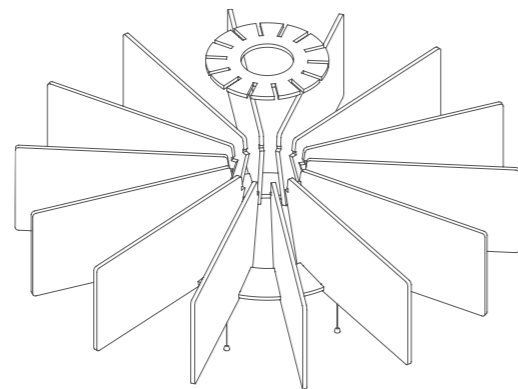
Fig. 5

Fig. 6

Fig. 7

Start clipping the fins into the top ring (as shown in Fig. 5, 6 and 7) until complete.

5

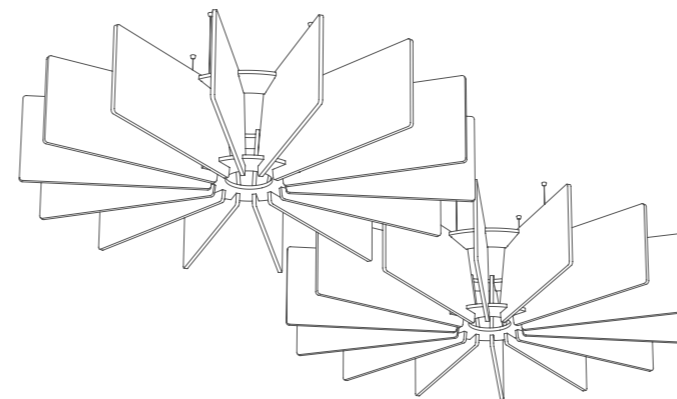


Once all fins are clipped to the top ring, gently and evenly press the bottom ring into position.

Ensure all joints are snug and carefully roll over so the larger ring is on the top.

Check again for any loose connections, make sure the hooks on the fins have clipped over the top ring.

6



While supporting the weight of the Lattice, screw ceiling connector caps onto their bases to hang.

Do not hang freely until all wires are secure.

PACK CONTENTS

- 2 x Lattice baffle
- 8 x 1m stainless braided wire
- 8 x axis ceiling connector
- 16 x wire crimps

IA_NZ_IL_Lattice_Torus_INSTALL_JUL14_MW