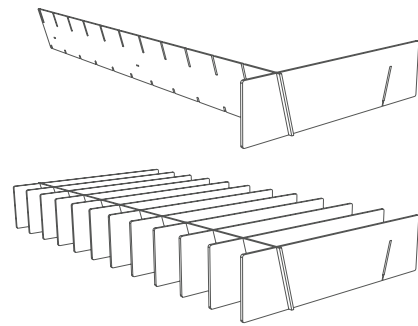


PACK CONTENTS

- 1 x Lattice baffle
- 6 x 1m stainless braided wire
- 6 x axis ceiling connector
- 12 x wire crimps
- 12 x alloy tube inserts

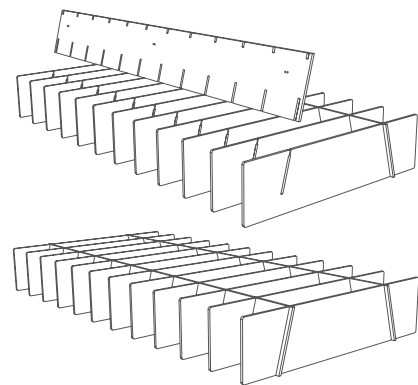
CONSTRUCTING THE LATTICE

1



Lay one rail on its edge with the long slots facing up and methodically slot the fins into each slot on the rail at 90 degrees. Make sure the tabs on the fins click into the groove on the bottom of the rail.

2



Once all the fins are inserted into the rail, flip the Lattice over 180°. Slide the remaining rail into the slots on the fins; again ensuring the tabs on the fins click into the groove on the rail.

HANGING THE LATTICE

1

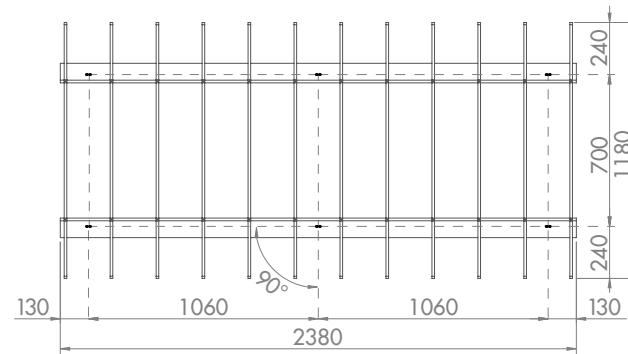


Fig. 1

Determine where you want the Lattice to hang (Fig. 1). Mark the ceiling fixing points as per the dotted lines.

Attach ceiling connectors to ceiling at marked points, using a mechanical fastening with a diameter of 3mm that is appropriate for the substrate.

3

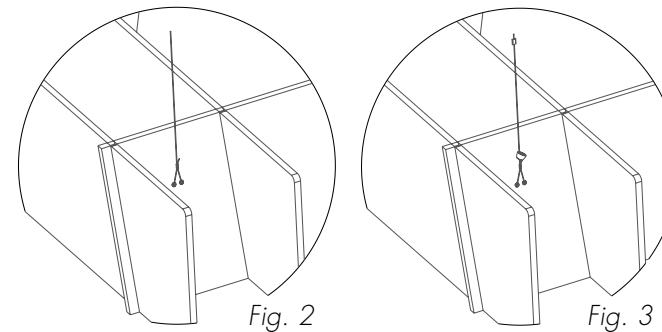


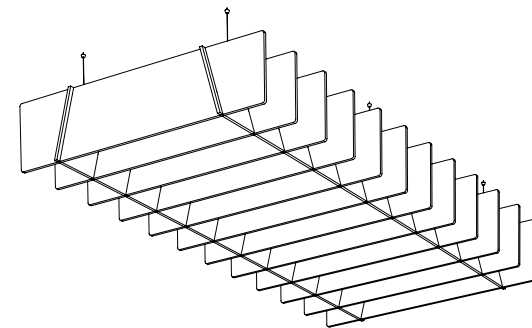
Fig. 2

Fig. 3

Thread the provided wires through the alloy tube inserts and clamp the wire at 50mm (Fig. 2).

Feed the cap of the ceiling connector onto each of the wires (Fig. 3).

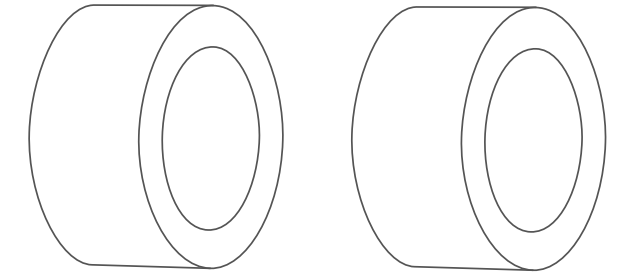
5



While supporting the weight of the Lattice, screw ceiling connector caps onto their bases to hang.

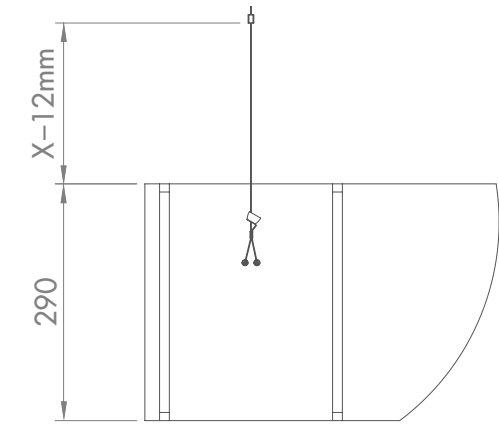
Do not hang freely until all wires are secure.

2



Remove the round plugs in the pre-cut holes of each rail of the Lattice and replace with the supplied alloy tube inserts.

4



Measure the desired distance the Lattice will hang from the ceiling (X). Crimp the wire 12mm less than desired hanging distance (X - 12mm).

IA_NZ_IL_Lattice_Trapezium_INSTALL_JUL14_MW